



- Improves animal welfare
- Meets the developmental needs of your fish
- Natural sunrise / sunset simulation
- Equivalent light output to a 125W incandescent
- Advanced species-specific spectrum
- Can be used as a “service light”
- Energy efficient 14W LED



**Dim-to-Red®** technology provides natural dawn and dusk simulation, reducing stress on animals.



ONCE® AquaShift® lighting systems are developed to meet the individual needs of your fish, while withstanding the harsh environments of modern aquaculture applications.

## Lighting Systems for Aquaculture

ONCE® lighting systems provide a customized light intensity, color spectrum and photoperiod for your animal. The AquaShift® MLA-WH is an advanced LED fixture made to enhance production and reduce stress on fish raised in commercial aquaculture environments. It produces a bright white output and a deep red spectrum when fully dimmed, allowing the light to be used as a “service light”. The AquaShift® MLA-WH is fully dimmable and programmable, making it easy to provide natural daylight simulation.

### Built Specifically for Aquaculture Conditions

AquaShift® lighting systems withstand the high humidity and harsh conditions of modern aquaculture applications. The AquaShift® MLA-WH is designed to be wet location compatible, National Electrical Code compliant for Agricultural Facilities (Article 547), and ETL listed.



## AquaShift® MLA-WH Specifications

Nominal Power	13.8W (at full intensity)
Luminous Flux	1380 lm human photopic
Input Voltage	120 VAC / 50/60 Hz
Beam Angle	180°
Light Output Equivalence	Up to 125W incandescent
Spectral Output	Species-specific full spectrum white
Operating Temperature	-20°C to 40°C / -4°F to 104°F
Dimmable Range	100% to 5%, dims-to-red hue
Dimmer Type	Phase Modulation or Amplitude Control*
Environmental Ratings	Suitable for damp locations, RoHS Compliant
Safety	Conforms to ANSI/UL STD 1598, Certified to Can/CSA STD. C22.2 NO. 250.0

\* For optimum dimming performance use AgriShift® Controllers

\* All units are packaged individually with integral gasket (attached) and 2 screws.

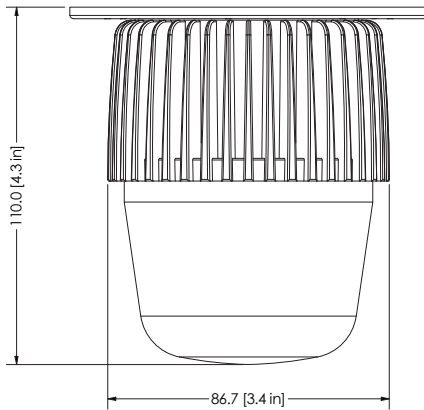
## Ordering Information

AquaShift® MLA-WH	SKU
Hard-Wired (HW)	MLA-WH-HW-180-014-120
<i>Includes 78" cord, Junction Box, Junction Box Cover, Cordgrip and Nut</i>	
Junction Box (JB)†	MLA-WH-JB-180-014-120
<i>Includes JB adaptor/connector kit and Junction Box</i>	

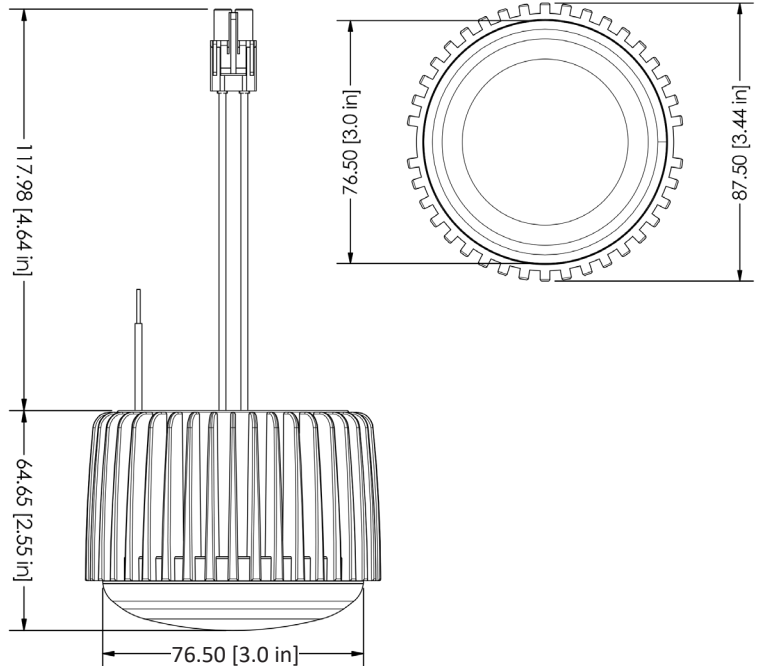
AquaShift® MLA-WH Accessories	SKU
AgriShift® Control 120V	30-014-00188-L123
AgriShift® Dim 120V	30-014-00189-L123
AgriShift® Control 240V-50Hz	30-014-00180-L123
AgriShift® Control 240V-60Hz	30-014-00180-L123-60Hz
Junction Box	PRB575GYKO
<i>Five total 3/4" KO hubs, four sealed</i>	
Junction Box Cover	26-0049
<i>Round Weatherproof Cover with Gasket and Screws included</i>	
Water-tight Cordgrip	02-0231
<i>Liquid Tight Cordgrips, Straight-Thru, 1/2" NPT Hubs</i>	
Water-tight Locknut	02-0232
<i>Nylon Locknuts 1/2" NPT Thread</i>	

## AgriShift® MLS Mechanical Dimensions

Junction Box (JB) Tall Lens with adapter



Junction Box (JB) Short Lens Base Unit



Jelly Jar (JJ) Tall Lens with adapter

